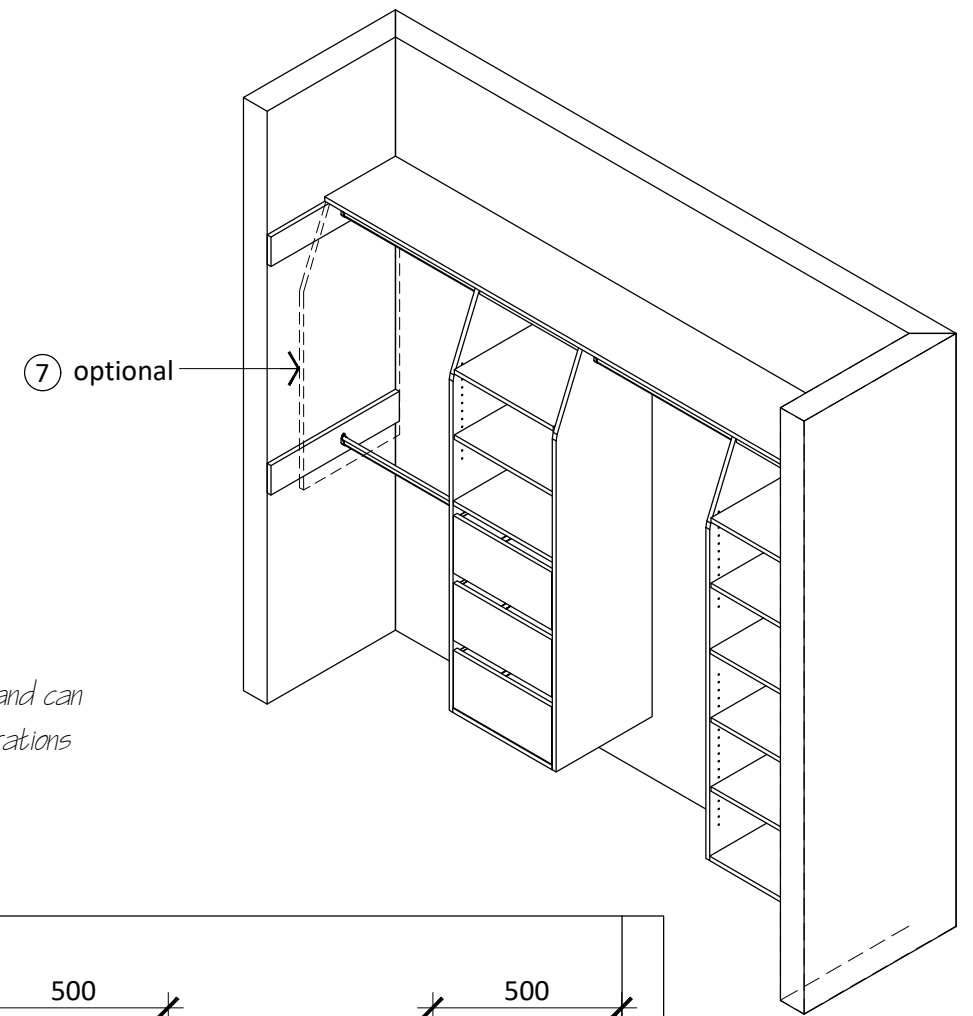
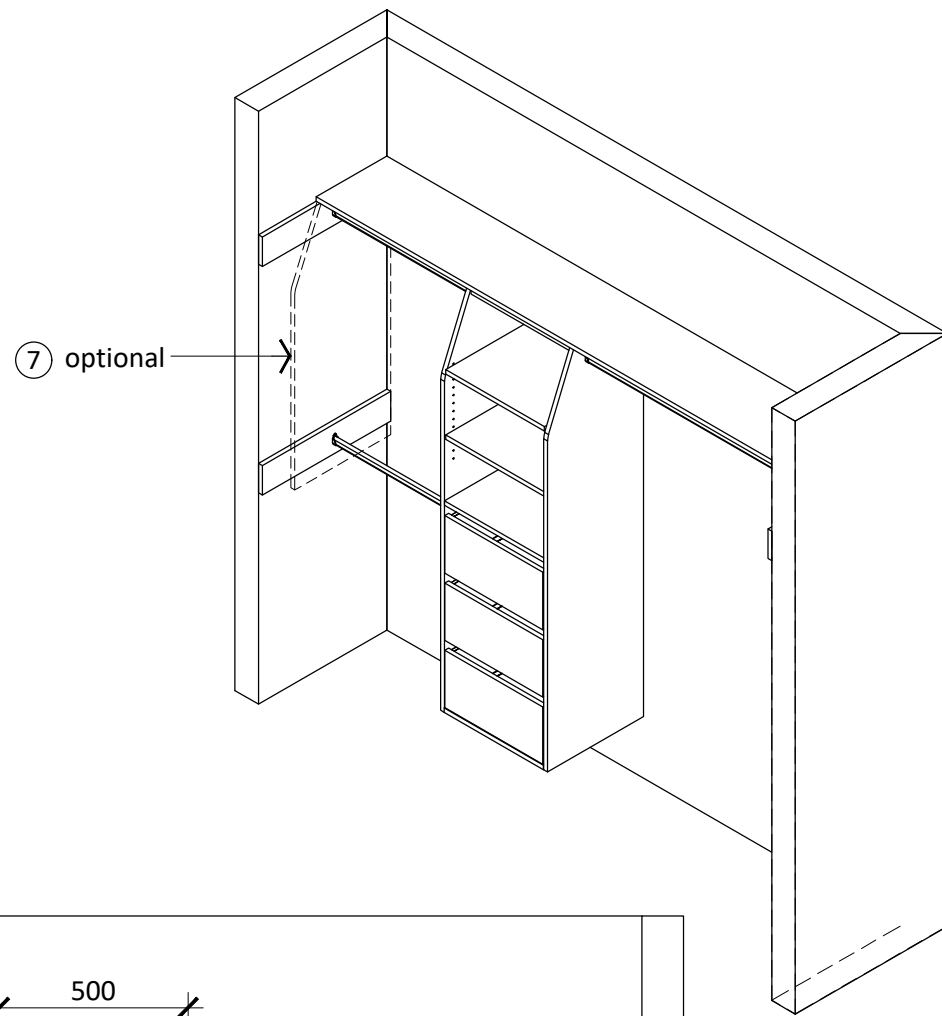
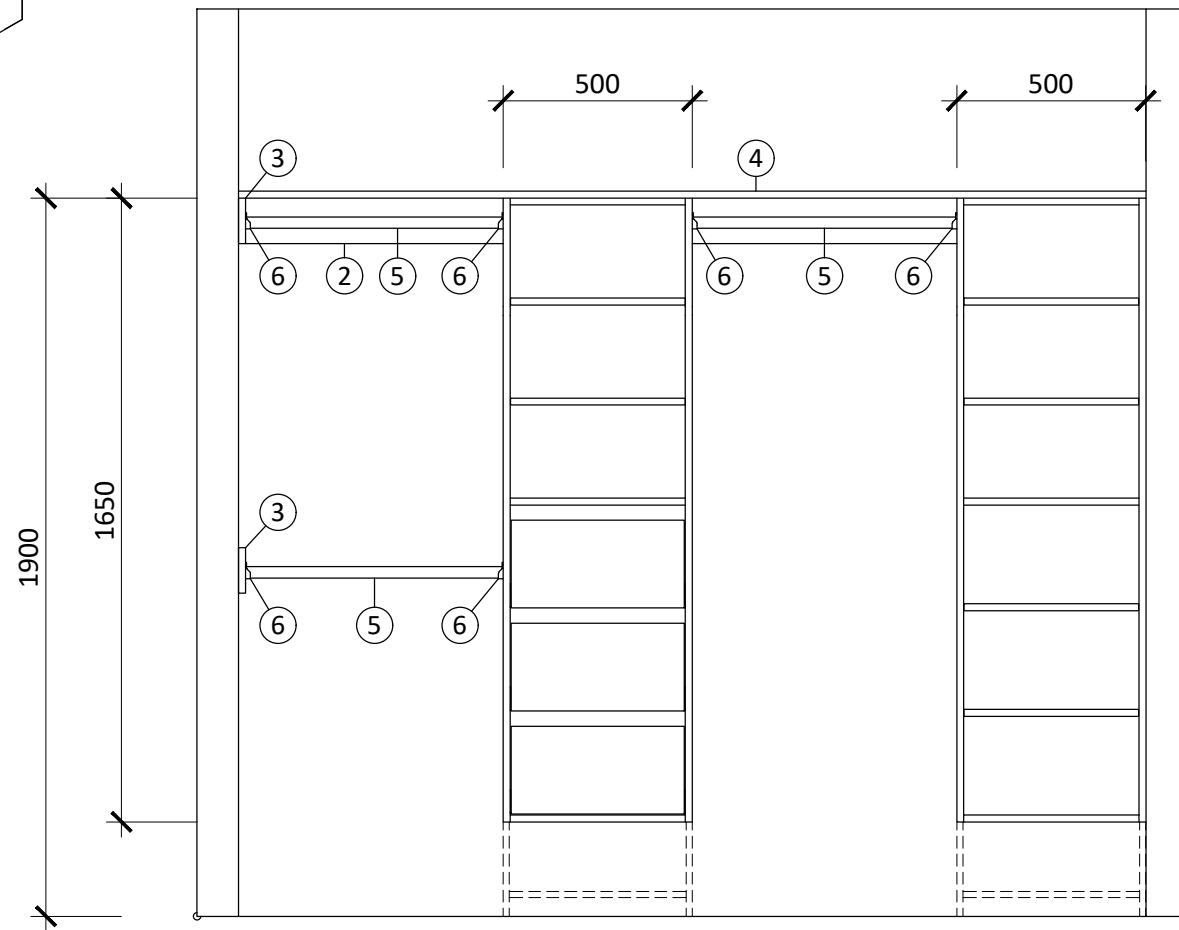
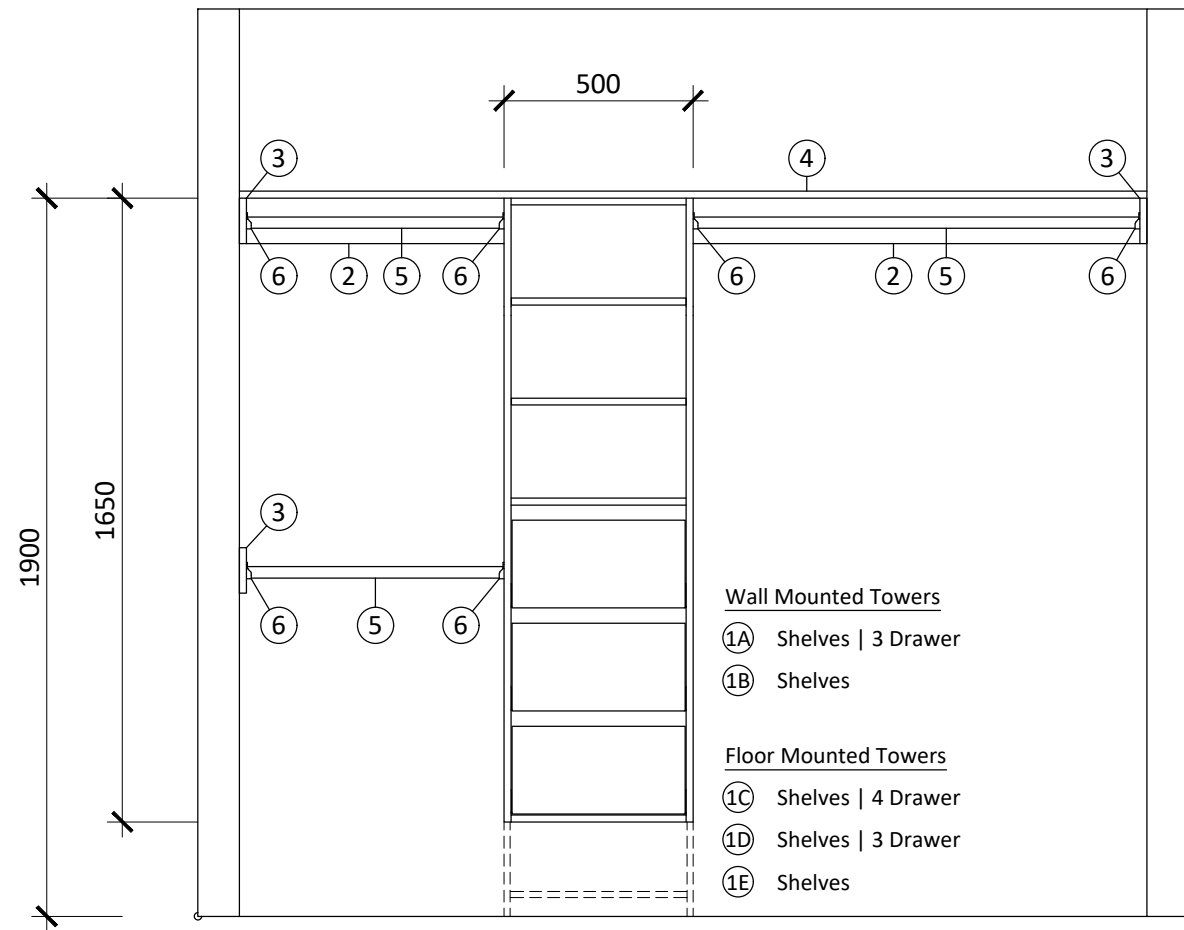


Description	
1A	Shelves 3 Drawer Wall Mounted Tower
1B	Shelves Wall Mounted Tower
1C	Shelves 3 Drawer Floor Mounted Tower
1D	Shelves 4 Drawer Floor Mounted Tower
1E	Shelves Floor Mounted Tower
2	Back Support
3	Side Supports
4	Top Shelf
5	Hanging Rail
6	Hanging Rail End Supports
7	Side Panel (optional)



These are examples only and can be made to many configurations



**Central
Cabinets**

53 Boundary Road, ALEXANDRA | 03 427 2975

PROJECT

Standard Wardrobes
Layout Examples

JOB #

SHEET

A101 2/3

REV.